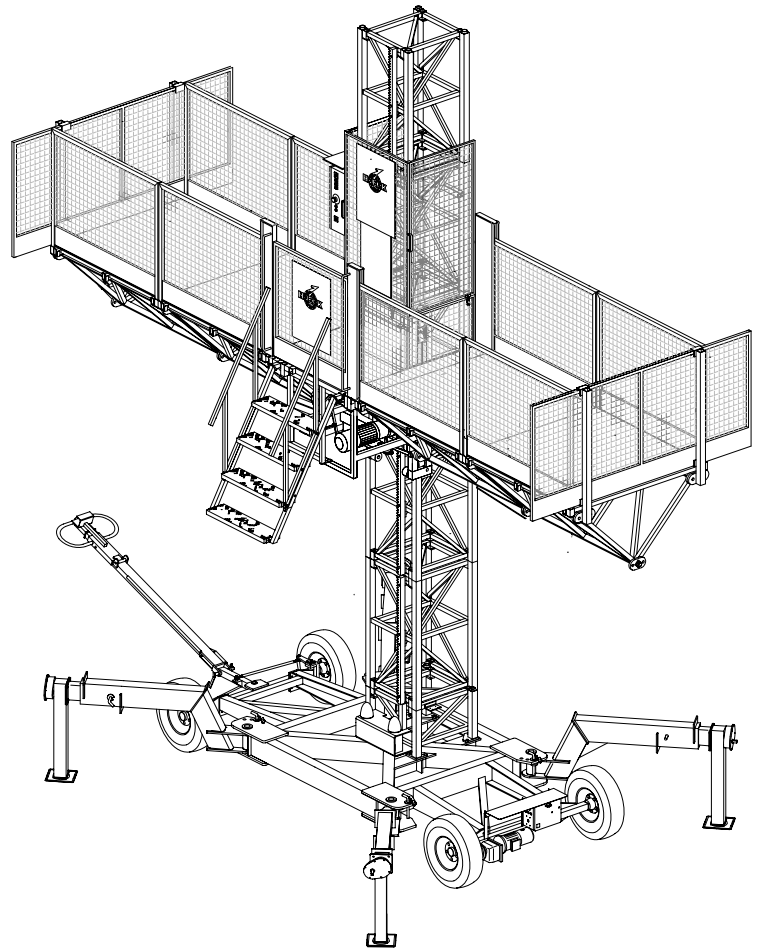


## POWER SUPPLY REQUIREMENTS

Voltage: 208V to 240V, 3 Phase  
 Frequency: 60 Hz  
 Breaker Size: 30A Single, 60A Twin

## MACHINE SPECIFICATIONS

Platform Speed: 23 ft/min  
 Maximum Height:  
     Anchored: 660 ft  
     Freestanding (Inside): 99 ft<sup>1</sup>  
     Freestanding (Outside): 66 ft<sup>1</sup>  
 Anchor Distance: 50 ft  
 Mast Height Above Top Anchor: 26 ft  
 Standard Extension: 3'-3"<sup>2</sup>  
 Motors (Vertical Travel): 2 x 2.1kW<sup>3</sup>  
 Motors (Horizontal Travel): 1 x 1.7kW<sup>3</sup>  
 Control Voltage: 42V  
 Starting Current: 80A<sup>3</sup>  
 Running Current: 24A<sup>3</sup>



## COMPONENT WEIGHTS

Drive Unit: 2090 lb  
 4'-11" Deck: 308 lb  
 4'-11" Fence: 40 lb  
 2'-7" Deck: 198 lb  
 2'-7" Fence: 26 lb  
 End Fence (Set): 132 lb  
 Stairs: 50 lb  
 Ground Frame: 400 lb  
 Chassis: 3850 lb  
 Mast (4'-1") : 176 lb

## LOAD CHART SINGLE

Length	Capacity								
9'-3"	5060				C	A	C		
13'-10"	4840				B	A	B		
19'-1"	4400			C	B	A	B	C	
23'-8"	3960			B	B	A	B	B	
28'-11"	3520		C	B	B	A	B	B	C
33'-6"	3300		B	B	B	A	B	B	B
38'-9"	CALL	C	B	B	B	A	B	B	B
43'-4"	CALL	B	B	B	B	A	B	B	B

A = Drive Unit, B = 4'-11" Deck, C = 2'-7" Deck

<sup>1</sup> Chassis in Full X configuration.

<sup>2</sup> Refer to User's Manual to determine the capacity of a given configuration with extensions across the length of the platform.

<sup>3</sup> Specifications are per drive unit / chassis.

**NOTE:** Decks should be composed of Steel S-355. Refer to User's Manual for method of identification.